

Item	Item No	Description	Q-ty	Note
	1	Inflatable tube for G500	1	
	2	Fiberglass hull for G500	1	
	3	Inflation-deflation valve LEAFIELD	5	
	4	Steering console CL-20	1	
	5	Bow step plate	1	
	6	PVC handle grey / grey insertion	1	
	7	Stainless steel bow railing	2	
	8	Steering system for engines 50HP end over+ cable 13'	1	
	9	Expanded drain plug 42 mm	2	
	10	Drain through-hull with plug	1	
	11	Drain valve, 50 mm	2	
	12	Motor plate external	1	
	13	U-bolt M10x120	2	
	14	Rubbing strake, 100 mm		
	15	Swimming platform	1	
	16	Swimming platform with folding ladder	1	
	17	Bow locker removable cushion G500 #1	1	
	18	Bow locker removable cushion G500 #2	1	
	19	Rear seat removable cushion	1	

DIMENSION (cm)

Length overall 495
 Length internal 332
 Width overall 230
 Width internal 128

CAPACITY

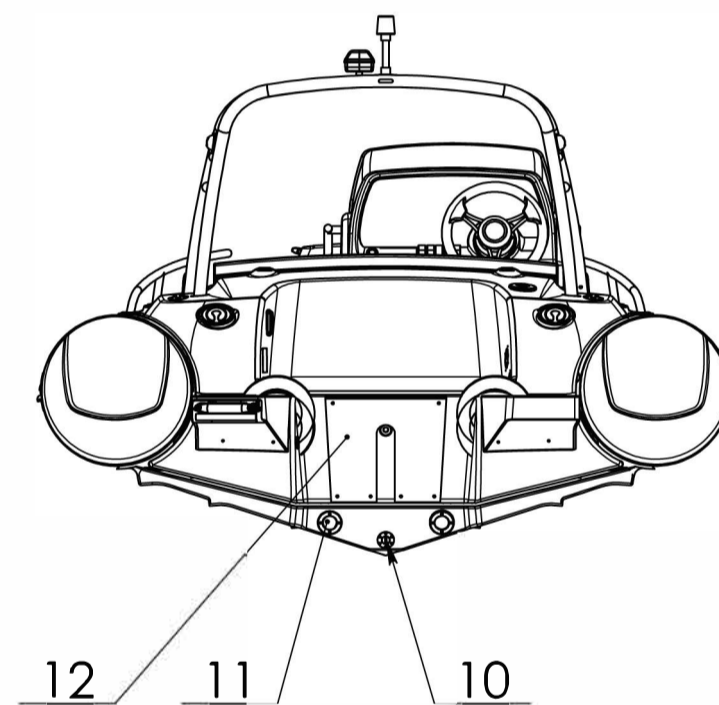
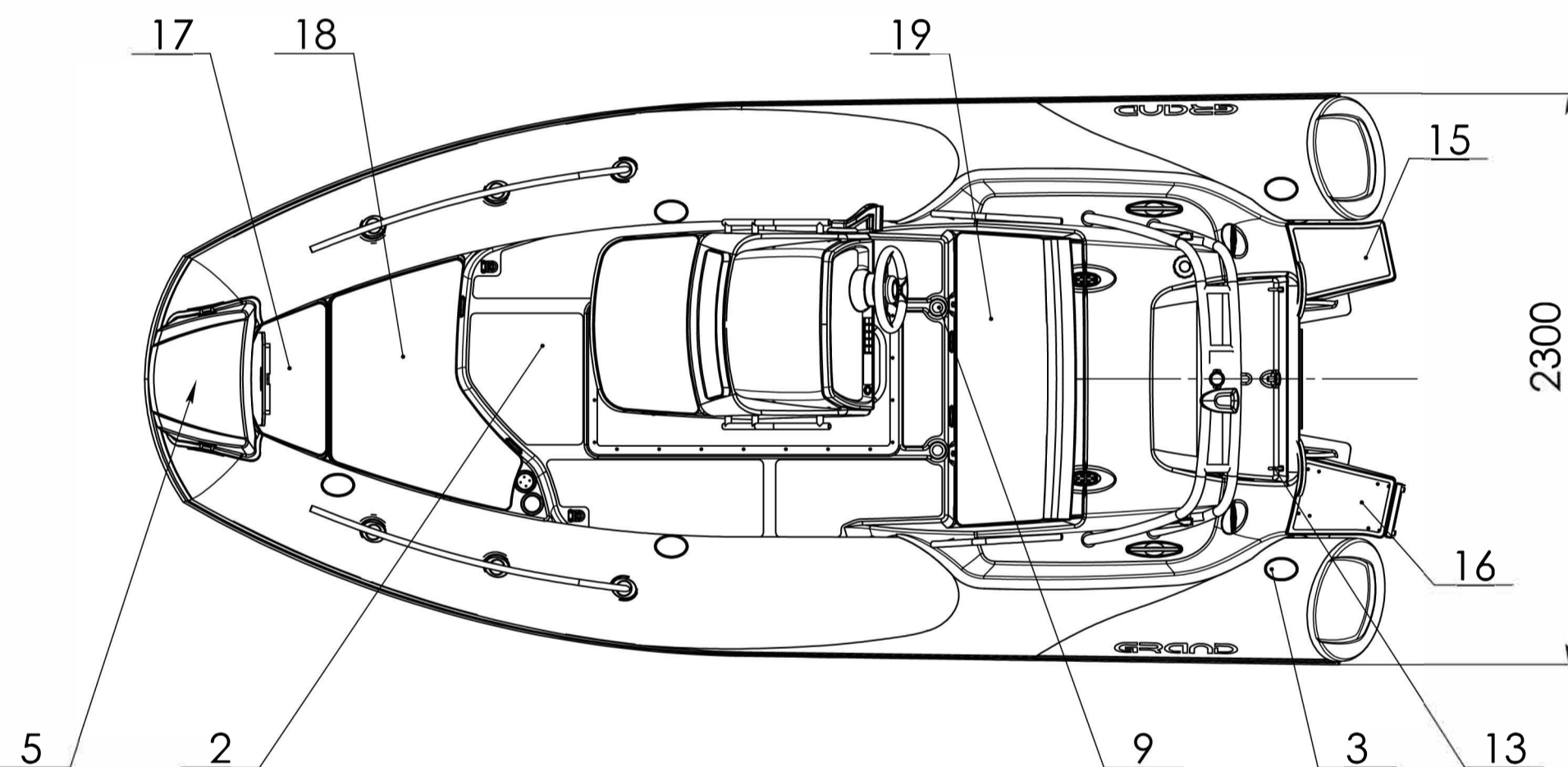
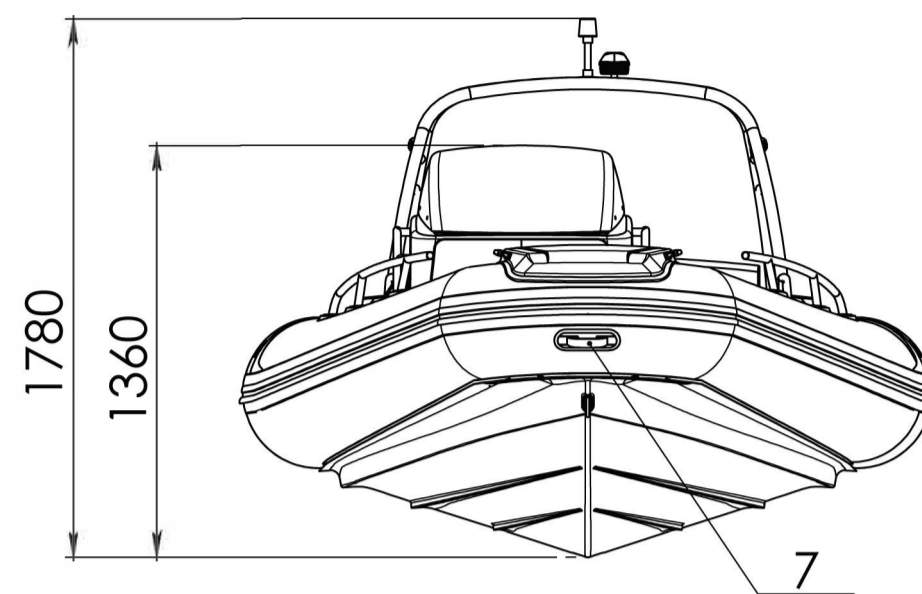
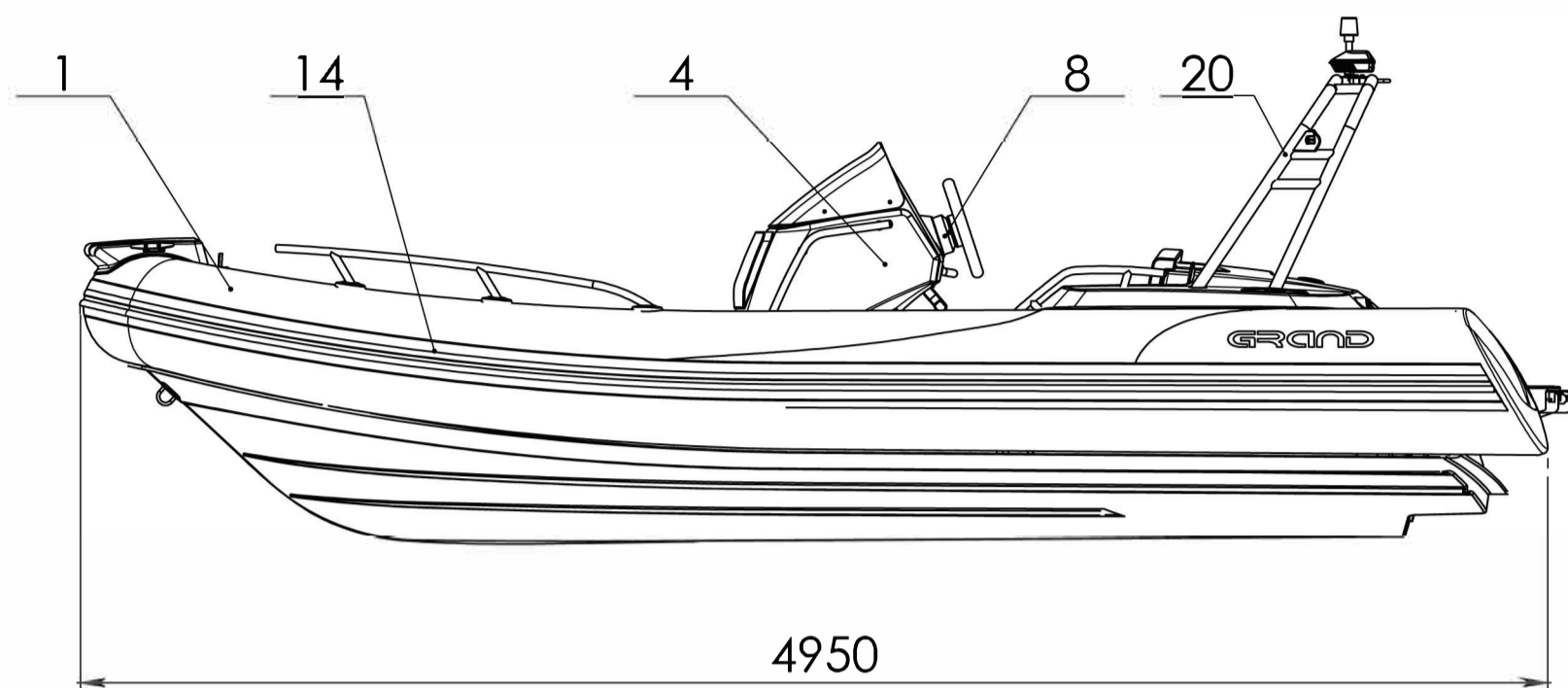
Passengers capacity 10
 Max loading capacity 1000 (kg)
 Boat weight (kg) 435

TUBE

Tube diameter (cm) 50
 No of chambers 5
 Tube volume (m*3) 1.63

Engine max (HP) 115
 Engine recommended (HP) 90

UNLESS OTHERWISE SPECIFIED: DIMENSIONS ARE IN MILLIMETERS		FINISH:		DEBUR AND BREAK SHARP EDGES		DO NOT SCALE DRAWING		REVISION	
SURFACE FINISH:									
TOLERANCES:									
LINEAR:									
ANGULAR:									
NAME:	SIGNATURE:	DATE:	TITLE:						
DRAWN Kruglyak		20.12.17	Golden Line G500						
CHK'D Borodin									
APP'VD									
MFG									
Q.A			MATERIAL:		ITEM:		1180		A3
				WEIGHT:		SCALE: 1:20		SHEET 1 OF 1	



Item	Item No	Description	Q-ty	Note
	1	Inflatable tube for G500	1	
	2	Fiberglass hull for G500	1	
	3	Inflation-deflation valve LEAFIELD	5	
	4	Steering console CL-20	1	
	5	Bow step plate	1	
	6	PVC handle grey / grey insertion	1	
	7	Stainless steel bow railing	2	
	8	Steering system for engines 50HP end over+ cabel 13'	1	
	9	Expanded drain plug 42 mm	2	
	10	Drain through-hull with plug	1	
	11	Drain valve, 50 mm	2	
	12	Motor plate external	1	
	13	U-bolt M10x120	2	
	14	Rubbing strake, 100 mm		
	15	Swimming platform	1	
	16	Swimming platform with folding ladder	1	
	17	Bow locker removable cushion G500 #1	1	
	18	Bow locker removable cushion G500 #2	1	
	19	Rear seat removable cushion	1	
	20	Waterski towing/navigation arch for G500, polished	1	

DIMENSION (cm)

Length overall	495
Length internal	332
Width overall	230
Width internal	128

CAPACITY

Passengers capacity	10
Max loading capacity (kg)	1000
Boat weight (kg)	435

TUBE

Tube diameter (cm)	50
No of chambers	5
Tube volume (m*3)	1.63

Engine max (HP)	115
Engine recommended (HP)	90

UNLESS OTHERWISE SPECIFIED: DIMENSIONS ARE IN MILLIMETERS				FINISH:		DEBUR AND BREAK SHARP EDGES		DO NOT SCALE DRAWING		REVISION	
SURFACE FINISH:											
TOLERANCES:											
LINEAR:											
ANGULAR:											
NAME	SIGNATURE	DATE				TITLE:					
DRAWN Kruglyak		20.12.17				Golden Line G500 with Waterski towing					
CHK'D Borodin											
APP'VD											
MFG											
Q.A						MATERIAL:		ITEM:		A3	
						WEIGHT:		SCALE 1:20		SHEET 1 OF 1	